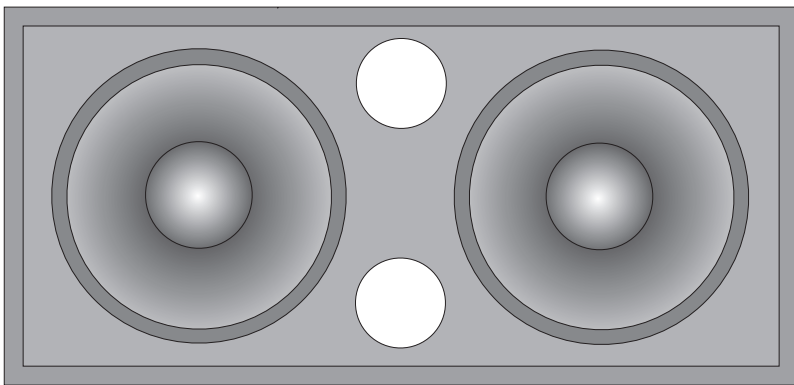
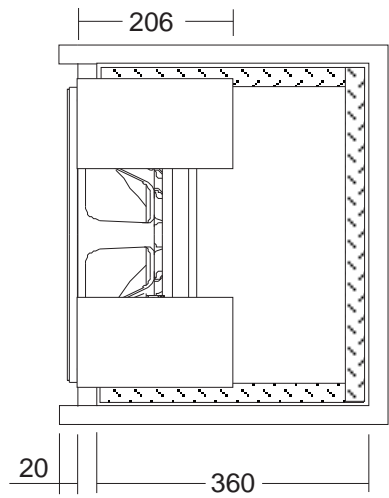
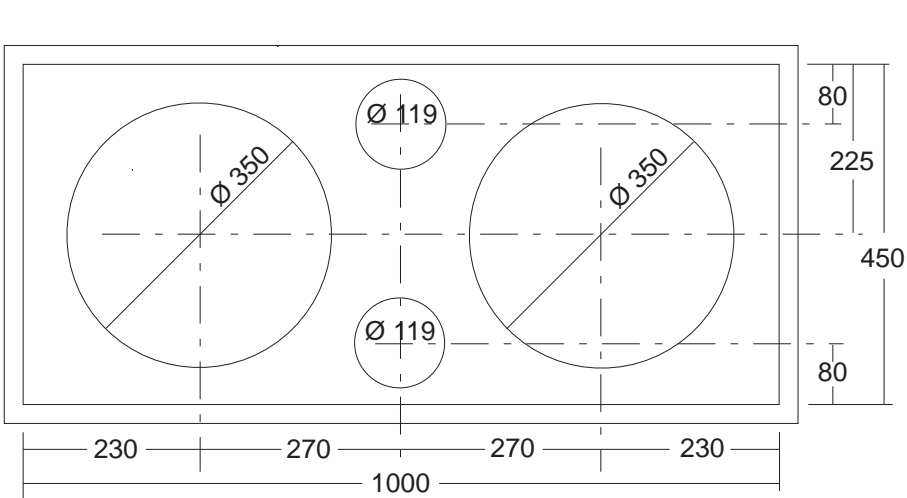


BR025 BASS REFLEX BOX



COMPONENTS

L F (n°2) parallel	15.00 SW
Max Power	2800 W
Nominal Power	1400 W
Impedance	4 Ω

SPECIFICATIONS

Sensitivity 1W/1m	:	98	dB
Net volume Vb	:	150	dmc
Tuning Frequency Fb	:	35	Hz
Frequency range	:	20 ÷ 500	Hz

